

■ Replacement Parts List

Notes: *Important safety notice:

 Components identified by Δ mark have special characteristics important for safety.

Furthermore, special parts which have purposes of fire-retardant (resistors), high-quality sound (capacitors), low-noise (resistors), etc. are used.

When replacing any of components, be sure to use only manufacture's specified parts shown in the parts list.

*The parenthesized indications in the Remarks columns specify the areas. (Refer to the cover page for area.)

Parts without these indications can be used for all areas.

*Remote Control Ass'y: Supply period for three years from termination of production.

*The "(SF)" mark denotes the standard part.

*<VRD>: indicates parts that are supplied by Video Recorder Division.

Ref. No.	Part No.	Part Name & Description	Remarks	Ref. No.	Part No.	Part Name & Description	Remarks
		INTEGRATED CIRCUIT(S)		D705, 706	RL1N4003N02	DIODE	Δ
				D712	MA4240H	DIODE	
				D715, 716	MA4150M	DIODE	Δ
IC301	M5218AP	IC, BUFFER AMP.		D717	MA4051MTA	DIODE	Δ
IC401	AN6558F	IC, MIC AMP.		D781, 782	RL1N4003N02	DIODE	Δ
IC501	RSN35H1	IC, POWER AMP.	Δ	D801-804	1SS254TA	DIODE	
IC551	RSN35H1	IC, POWER AMP.	Δ	D807	MTZJ5R6BTA	DIODE	Δ
IC801	BU2040	IC, SYSTEM CONTROL		D811-814	LNJ301MPUJAD	LED	
		TRANSISTOR(S)				VARIABLE RESISTOR(S)	
Q201, 202	2SD1450RTA	TRANSISTOR		VR401	RRV11A01B14A	V. R, MIC VOLUME CONTROL	
Q203	UN4115	TRANSISTOR		VR601	EVQWQAF2524B	V. R, MAIN VOLUME CONTROL	
Q351	2SA1309A1RTA	TRANSISTOR				COIL(S)	
Q352	2SB621A-R	TRANSISTOR	Δ	L501, 502	RLQYR73M	COIL	
Q353	2SA1309A1RTA	TRANSISTOR		L551, 552	RLQYR73M	COIL	
Q354	2SC3311A1RTA	TRANSISTOR		L701	RLQZ271M-K	COIL	Δ (E, EB, EG, EP)
Q361	2SD2144S	TRANSISTOR				FUSE(S)	
Q362	2SA1309A1RTA	TRANSISTOR		F1	XBA2C12TB0S	FUSE, 250V T1. 25A	Δ (E, EB, EG, EP)
Q371	2SA1309A1RTA	TRANSISTOR		F1	XBA2C25TB0	FUSE, 250V T2. 5A	Δ (GC)
Q401	2SC1740SQ	TRANSISTOR		F2	XBA2C12TB0	FUSE, 250V T1. 25A	Δ (GC)
Q551, 552	UN4115	TRANSISTOR		F701, 702	XBA2C16TB0	FUSE, 250V T1. 6A	Δ
Q553, 554	2SD1450RTA	TRANSISTOR				SWITCH(ES)	
Q571, 572	2SC3311A1RTA	TRANSISTOR		S601	EVQ21405R	SW, POWR	
Q573	2SA1309A1QTA	TRANSISTOR		S602	EVQ21405R	SW, PROLOGIC	
Q601	UN4211	TRANSISTOR		S603	EVQ21405R	SW, TEST	
Q701	2SD2374PQAU	TRANSISTOR	Δ	S605	EVQ21405R	SW, CENTER MODE	
Q702	2SB1548PQAU	TRANSISTOR	Δ	S607	EVQ21405R	SW, EQ SPACE/FLAT	
Q704	2SC3311A1RTA	TRANSISTOR		S608	EVQ21405R	SW, V. BASS	
Q801	2SC3940ARSTA	TRANSISTOR	Δ	S701	ESE37314	SW, VOLTAGE SELECTOR	Δ (GC)
Q802	DTA114ESTP	TRANSISTOR				CONNECTOR(S)	
		DIODE(S)		CN501-1	RJS1A6604	CONNECTOR(4P)	
D351	MA165	DIODE		CN501-2	RJS1A6604	CONNECTOR(4P)	
D352	MA4100LTA	DIODE	Δ	CN501-3	RJS1A6604	CONNECTOR(4P)	
D361	MA4075MTA	DIODE	Δ	CN502-1	RJS1A6603	CONNECTOR(3P)	
D362	MA165	DIODE		CN502-2	RJS1A6603	CONNECTOR(3P)	
D371	MA700TA	DIODE		CN701-708	RJS1A1101T1	CONNECTOR(1P)	
D372	MA165	DIODE		CN703-1	RJS1A6604	CONNECTOR(4P)	
D401	MTZJ6R2BTA	DIODE	Δ				
D402	1SS254TA	DIODE					
D501, 502	MA165	DIODE					
D600	SLR-305VC	L. E. D					
D601-603	LNJ301MPUJAD	L. E. D					
D701-704	1N5402BF	DIODE	Δ				

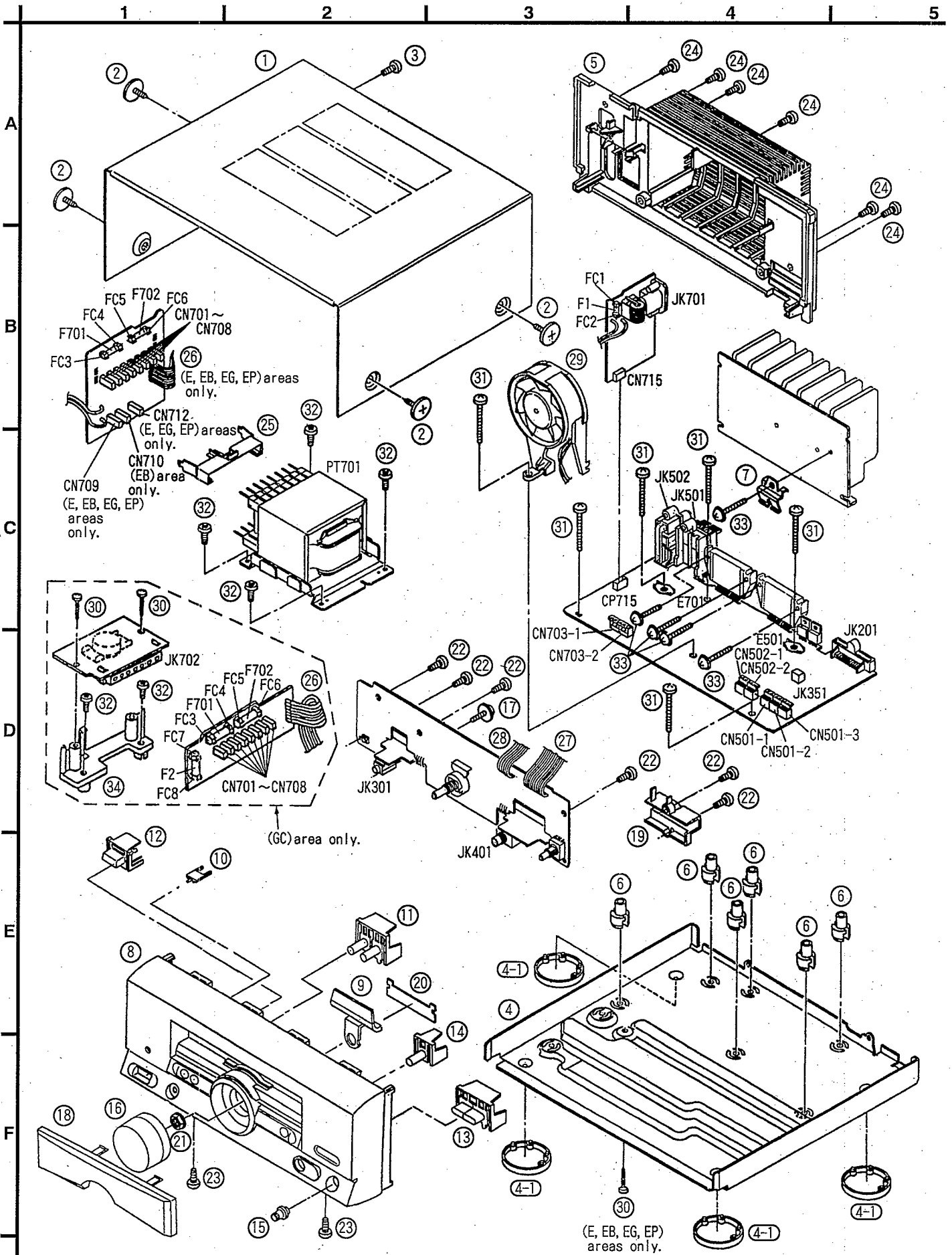
Notes : * Capacity values are in microfarads (μF) unless specified otherwise, P=Pico-farads (pF) F=Farads (F)
 * Resistance values are in ohms, unless specified otherwise, 1K=1,000(OHM) , 1M=1,000k(OHM)

Ref. No.	Part No.	Values & Remarks	Ref. No.	Part No.	Values & Remarks	Ref. No.	Part No.	Values & Remarks
		RESISTORS	R420	ERDS2TJ104	1/4W 100K	R783	ERDS2TJ221	1/4W 220
			R501, 502	ERDS2TJ102	1/4W 1K	R791, 792	ERDS2TJ101	1/4W 100
			R503-506	ERDS2TJ563	1/4W 56K	R793	ERQ16NKNR15E	1/6W 0.15
R223, 224	ERDS2TJ103	1/4W 10K	R507, 508	ERDS2TJ182	1/4W 1.8K	R801	ERDS2TJ821	1/4W 820
R251	ERDS2TJ222	1/4W 2.2K	R509, 510	ERDS2TJ821	1/4W 820	R802	ERDS2TJ102	1/4W 1K
R253, 254	ERDS2EJ121	1/4W 120	R511	ERDS2TJ334	1/4W 330K	R803	ERDS2TJ122	1/4W 1.2K
R255	ERDS2TJ154	1/4W 150K	R512	ERDS2TJ154	1/4W 150K	R804	ERDS2TJ152	1/4W 1.5K
R256	ERDS2TJ105T	1/4W 1M	R513	ERDS2TJ684	1/4W 680K	R805	ERDS2TJ182	1/4W 1.8K
R259	ERDS2TJ561	1/4W 560	R514 Δ	ERD25FJ470	1/4W 47	R806	ERDS2TJ222	1/4W 2.2K
R291, 292	ERDS2TJ472	1/4W 4.7K	R515, 516 Δ	ERDS1FVJ100T	1/2W 10	R807	ERDS2TJ332	1/4W 3.3K
R301, 302	ERDS2TJ222	1/4W 2.2K	R517, 518 Δ	ERD25FVJ100T	1/4W 10	R811, 812	ERDS2TJ332	1/4W 3.3K
R303, 304	ERDS2TJ333	1/4W 33K	R519, 520	ERDS2TJ392T	1/4W 3.9K	R813	ERDS2TJ152	1/4W 1.5K
R305, 306	ERDS2TJ123	1/4W 12K	R551, 552	ERDS2TJ222	1/4W 2.2K	R815, 816	ERDS2TJ102	1/4W 1K
R307, 308	ERDS2TJ102	1/4W 1K	R553, 554	ERDS2TJ102	1/4W 1K	R817	ERDS2TJ221	1/4W 220
R309-312	ERDS2EJ121	1/4W 120	R555, 556	ERDS2TJ104	1/4W 100K	R818	ERDS2TJ104	1/4W 100K
R331, 332	ERDS2TJ122	1/4W 1.2K	R557, 558	ERDS2TJ563	1/4W 56K	R819, 820	ERDS2TJ102	1/4W 1K
R351	ERDS2TJ183T	1/4W 18K	R559, 560	ERDS2TJ102	1/4W 1K	R821, 822	ERDS2TJ221	1/4W 220
R352	ERDS2TJ473	1/4W 47K	R561	ERDS2TJ151	1/4W 150	R823	ERDS2TJ392T	1/4W 3.9K
R353	ERDS2TJ223	1/4W 22K	R562	ERDS2TJ471	1/4W 470	R825, 826	ERDS2TJ393	1/4W 39K
R354	ERDS2TJ104	1/4W 100K	R563, 564	ERDS2TJ563	1/4W 56K	R831, 832	ERDS2TJ221	1/4W 220
R355	ERDS2TJ103	1/4W 10K	R565, 566 Δ	ERD25FVJ100T	1/4W 10			CAPACITORS
R357	ERG1SJ100E	1W 10	R567, 568 Δ	ERDS1FVJ100T	1/2W 10			
R358	ERG1SJ220E	1W 22	R569	ERDS2TJ823T	1/4W 82K	C251	ECEA0JKA221B	6.3V 220U
R359	ERDS2TJ273	1/4W 27K	R570	ERDS2TJ124T	1/4W 120K	C301, 302	ECEA1CKA100B	16V 10U
R360	ERDS2TJ152	1/4W 1.5K	R571	ERDS2TJ823T	1/4W 82K	C303-306	ECBT1H101KB5	50V 100P
R361	ERDS2TJ104	1/4W 100K	R572	ERDS2TJ124T	1/4W 120K	C307, 308	ECEA1CKA220B	16V 22U
R362	ERDS2TJ101	1/4W 100	R573	ERDS2TJ563	1/4W 56K	C353	ECEA1HKA2R2B	50V 2.2U
R363, 364	ERDS2TJ103	1/4W 10K	R574	ERDS2TJ564	1/4W 560K	C361	ECEA1AKA221B	10V 220U
R365	ERDS2TJ335T	1/4W 3.3M	R575	ERDS2TJ223	1/4W 22K	C362, 363	RCE1CKA100BG	16V 10U
R371	ERDS2TJ683	1/4W 68K	R583, 584	ERDS2TJ154	1/4W 150K	C364	ECBT1E103ZF	25V 0.01U
R372	ERDS2TJ561	1/4W 560	R585, 586	ERDS2TJ105T	1/4W 1M	C371	ECEA0JKA101B	6.3V 100U
R373	ERDS2TJ101	1/4W 100	R587, 588	ERDS2EJ121	1/4W 120	C372	ECBT1E103ZF	25V 0.01U
R374	ERDS2TJ472	1/4W 4.7K	R589	ERDS2TJ561	1/4W 560	C381, 382	ECBT1E103ZF	25V 0.01U
R375	ERDS2TJ103	1/4W 10K	R590	ERDS2TJ334	1/4W 330K	C395, 396	ECBT1E223ZF	25V 0.022U
R391	ERDS2TJ473	1/4W 47K	R591 Δ	ERD2FCVG470T	1/4W 47	C397, 398	ECBT1E103ZF	25V 0.01U
R401	ERDS2TJ332	1/4W 3.3K	R602	ERDS2TJ681	1/4W 680	C401	ECBT1H221KB5	50V 220P
R403	ERDS2TJ223	1/4W 22K	R605	ERDS2TJ331	1/4W 330	C403	ECEA1HKA010B	50V 1U
R404	ERDS2TJ122	1/4W 1.2K	R701 Δ	ERD2FCVJ4R7T	1/4W 4.7	C404	ECBT1H221KB5	50V 220P
R405	ERDS2TJ184T	1/4W 180K	R702 Δ	ERQ16NKNR2R2E	1/6W 2.2	C405	ECBT1H151KB5	50V 150P
R406	ERDS2TJ102	1/4W 1K	R703, 704	ERDS2TJ562	1/4W 5.6K	C406, 407	ECEA1HKA3R3B	50V 3.3U
R407	ERDS2TJ104	1/4W 100K	R705	ERDS2TJ333	1/4W 33K	C408	ECBT1H181KB5	50V 180P
R408	ERDS2TJ473	1/4W 47K	R706	ERDS2TJ100	1/4W 10	C409	ECEA1HKA2R2B	50V 0.22U (E, EB, EG)
R409	ERDS2TJ332	1/4W 3.3K	R709	ERG1SJ221E	1W 220	C409	ECEA1HKA2R2B	50V 0.22U (EP)
R410	ERDS2TJ102	1/4W 1K	R711	ERG1SJ271E	1W 270	C410	ECBT1E223ZF	25V 0.022U
R411	ERDS2TJ562	1/4W 5.6K	R713 Δ	ERDS1FVJ1ROT	1/2W 1.0	C411	ECBT1E103ZF	25V 0.01U
R412	ERDS2TJ102	1/4W 1K	R716	ERDS2TJ392T	1/4W 3.9K	C412	ECBT1E223ZF	25V 0.022U
R413	ERDS2TJ562	1/4W 5.6K	R717	ERDS2TJ473	1/4W 47K	C413	ECEA1HKA2R2B	50V 2.2U
R414	ERDS2TJ332	1/4W 3.3K	R731	ERDS2TJ104	1/4W 100K	C414	ECEA1AU331	10V 330U
R415	ERDS2TJ103	1/4W 10K	R780	ERDS2TJ822	1/4W 8.2K			

Note: The reference number SA represent the grease and tool used for this unit.

Ref. No.	Part No.	Part Name & Description	Remarks	Ref. No.	Part No.	Part Name & Description	Remarks
		CABINET PARTS				PACKING MATERIALS	
1	RKM0202A-K	TOP CABINET		P1	RPG2962	PACKING CASE (SYSTEM)	(E, EB, EG, EP)
2	RHD30007-K1	SCREW		P1	RPG2964	PACKING CASE (SYSTEM)	(GC)
3	XTBS3+10JFZ1	SCREW		P2	RPG2708	PACKING CASE (CD/TUNER)	
4	RFKJECA7-N	BOTTON CHASSIS ASS'Y	(E, EB, EG, EP)	P3	RPG2707	PACKING CASE (DECK)	
4	RFKJECH730GC	BOTTON CHASSIS ASS'Y	(GC)	P4	RPG2706	PACKING CASE (AMPLIFIER)	
4-1	RKA0011-3	FOOT		P5	RPN0893	PAD (CD/TUNER)	
5	RKF0488-K	REAR PANEL ASS'Y	(E, EG, EP)	P6	RPN0892-1	PAD (DECK)	
5	RFKHECH570EB	REAR PANEL ASS'Y	(EB)	P7	RPN0891	PAD (AMPLIFIER)	
5	RFKHECH570GC	REAR PANEL ASS'Y	(GC)	P8	SPP740	PROTECTION COVER	
6	RKQ0089	SPACER		P9	RPF0139	PROTECTION COVER	
7	RMC0158	HOLDER		P10	RPQ0522	SPACER	
8	RFKGECH570EK	FRONT PANEL ASS'Y		P11	RPQ0541	SPACER	
9	RGLO343-Q	PANEL LIGHT		P12	RPQ0664	SPACER	
10	RGLO282-Q	PANEL LIGHT				ACCESSORIES	
11	RGU1433-K	BUTTON, DOLBY/TEST		A1	RAK-CH201WH	REMOTE CONTROL TRANSMITTER	
12	RGU1224-K	BUTTON, POWER		A1-1	RKK0057-K	BATTERY COVER	
13	RGU1431-K	BUTTON, EQ/V. BASS		A2	REE0499	SPEAKER CORD (2000mm)	
14	RGU1434-K	BUTTON, CENTER MODE		A3	REX0608	FLAT CABLE (SHORT)	
15	RGW0235-K	KNOB, MIC VOLUME		A4	REX0660	FLAT CABLE (MEDIUM)	
16	RGW0253-K	KNOB, MAIN VOLUME		A5	REX0661	FLAT CABLE (LONG)	
17	RHD26016	SCREW		A6	RJA0019-2K	AC MAINS LEAD	△ (E, EG, EP, GC) (SF)
18	RKWO465-Q	PANEL		A6	RJA0049-K	AC MAINS LEAD	△ (EB)
19	RMNO329	HOLDER		A7	RFKSECH570EK	INSTRUCTION MANUAL ASS'Y	(E)
20	RMV0121	PLATE		A7	RFKSECH570EB	INSTRUCTION MANUAL ASS'Y	(EB)
21	SNE4021-1	NUT		A7	RFKSECH570EG	INSTRUCTION MANUAL ASS'Y	(EG)
22	XTBS26+10J	SCREW		A7	RQT3496-Q	INSTRUCTION MANUAL	(EP)
23	XTBS3+8JFZ1	SCREW		A7	RQT3495-G	INSTRUCTION MANUAL	(GC)
24	XTB3+10JFZ	SCREW		A8	RQAD0117	WARRANTY CARD	(E, EB, EG)
25	RMNO191	HOLDER		A9	RQCB0169	SERVICE CENTER LIST	(E, EB, EG, GC)
26	RWJ1808130XX	FLAT CABLE (8P) (W703)	(E, EB, EG, EP)	A10	RSA0012	AM LOOP ANTENNA	
26	RWJ1808100XX	FLAT CABLE (8P) (J703)	(GC)	A10-1	RMNO244	ANTENNA HOLDER	
27	RWJ7012220QC	FLAT CABLE (12P) (W501)		A10-2	XTN3+12AFZ	SCREW	
28	RWJ7006200QC	FLAT CABLE (6P) (W502)		A11	RSA0007	FM INDOOR ANTENNA	(E, EB, EG, EP)
29	REMO057	FAN		A11	RSA0006	FM INDOOR ANTENNA	(GC)
30	XTB3+12JFZ	SCREW		A12	SJP5213-2	POEWR PLUG ADAPTOR	(GC)
31	XTB3+20JFZ	SCREW		A13	SJP9009	ATTACHMENT PLUG	(EB)
32	XTB3+8JFZ	SCREW				GREASE OR JIG/TOOL	
33	XTW3+15T	SCREW		SA1	RFKX0002	COMPOUND GREASE	
34	RMNO190-1	HOLDER	(GC)				

Cabinet Parts Location



■ Packaging

1135

