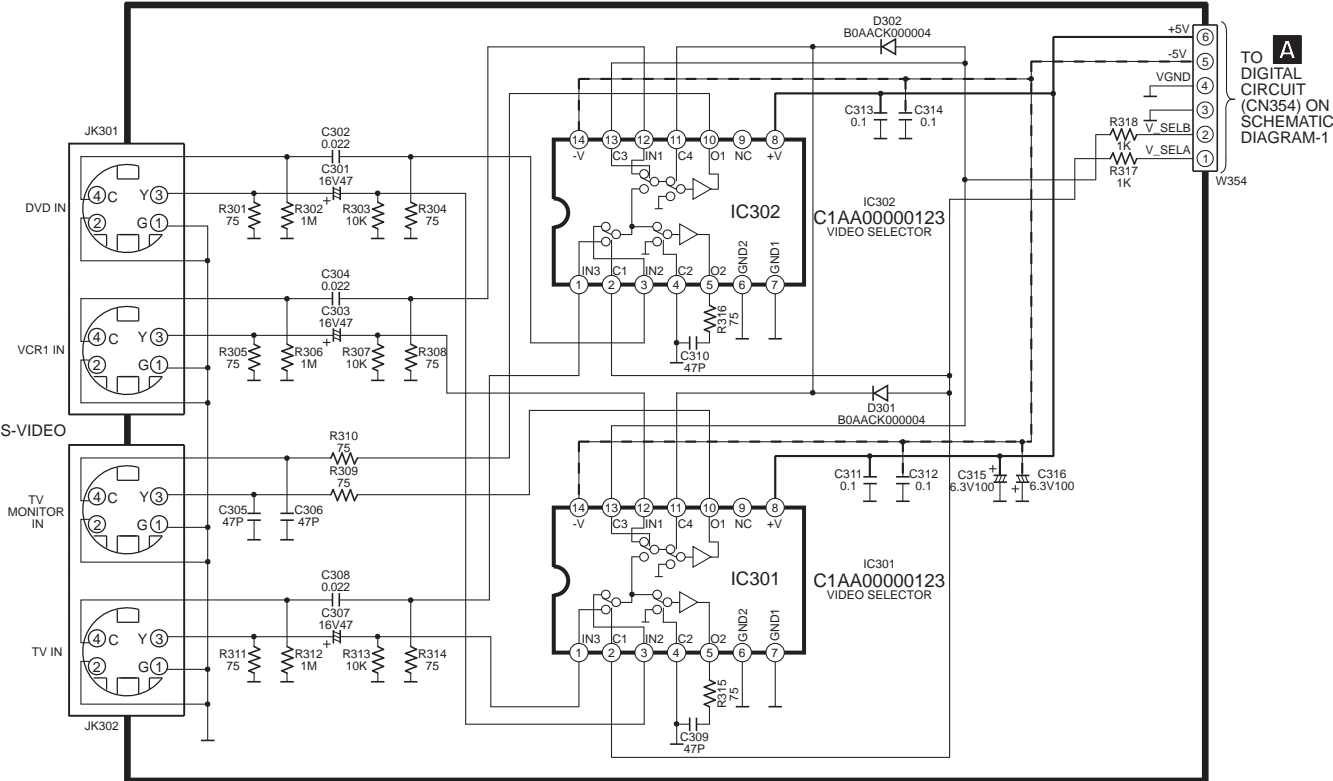


SCHEMATIC DIAGRAM-13

K S-VIDEO CIRCUIT

— : +B SIGNAL LINE
 - - - : -B SIGNAL LINE



A
 TO DIGITAL CIRCUIT (CN354) ON SCHEMATIC DIAGRAM-1