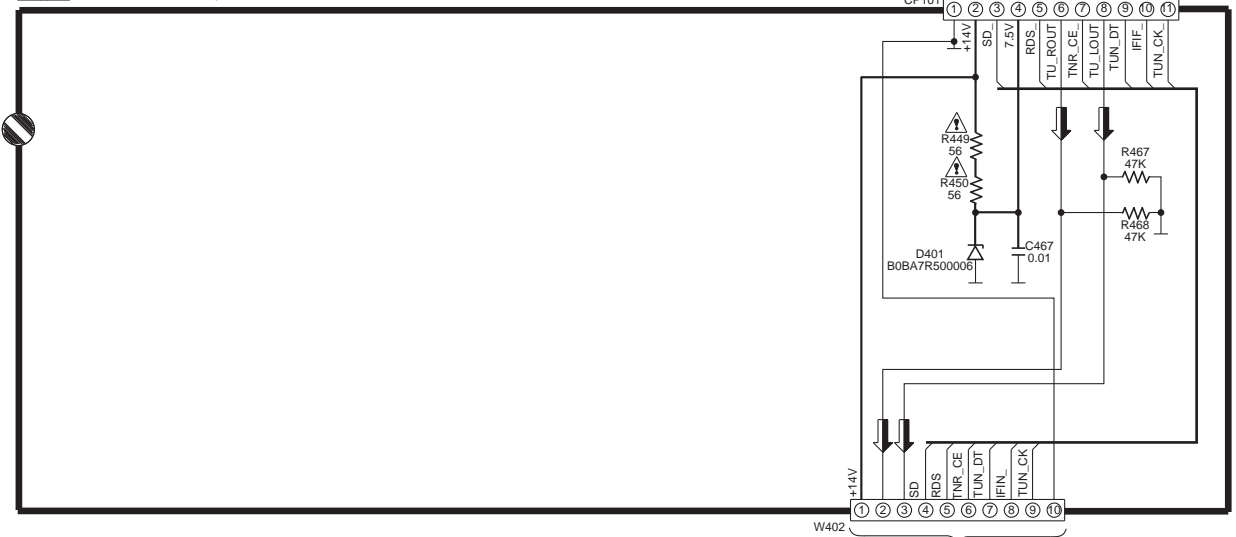


# SCHEMATIC DIAGRAM - 12

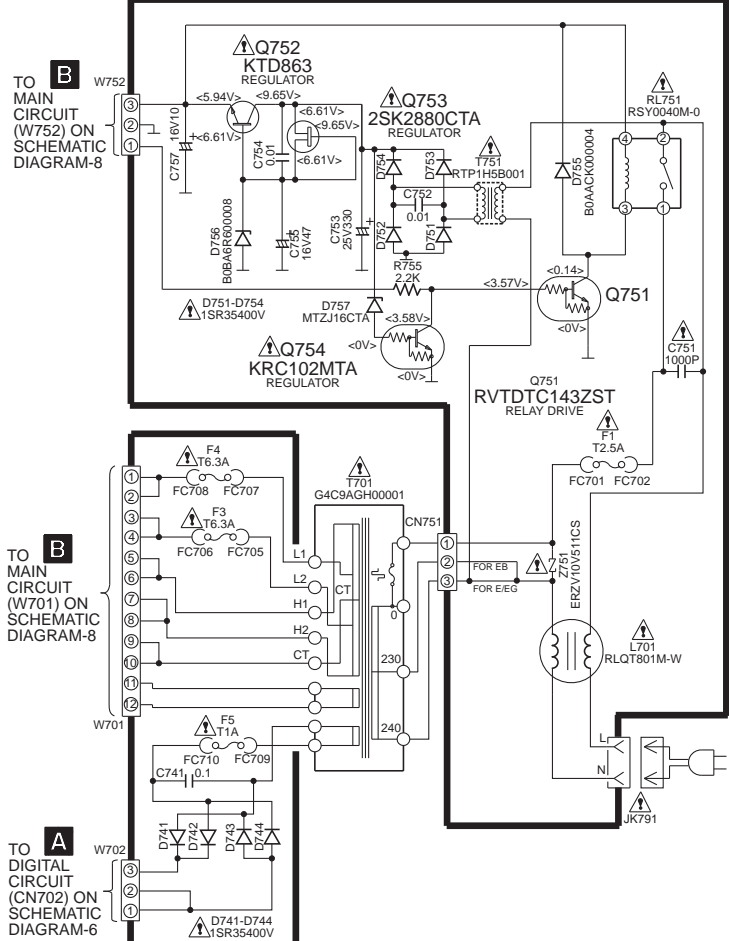
— : +B SIGNAL LINE      ➡ : FM/AM SIGNAL LINE

## I PHONO EQ CIRCUIT



TO MAIN CIRCUIT (CN401/402) ON SCHEMATIC DIAGRAM-7

## G TRANSFORMER CIRCUIT



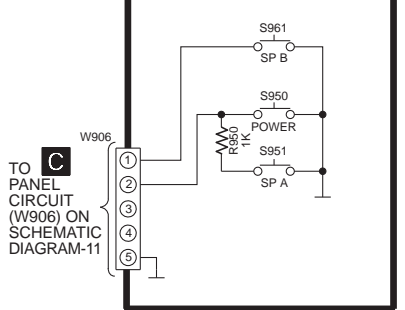
TO MAIN CIRCUIT (W752) ON SCHEMATIC DIAGRAM-8

TO MAIN CIRCUIT (W701) ON SCHEMATIC DIAGRAM-8

TO DIGITAL CIRCUIT (CN702) ON SCHEMATIC DIAGRAM-6

## H SUB-TRANSFORMER CIRCUIT

## F SWITCH CIRCUIT



TO PANEL CIRCUIT (W906) ON SCHEMATIC DIAGRAM-11