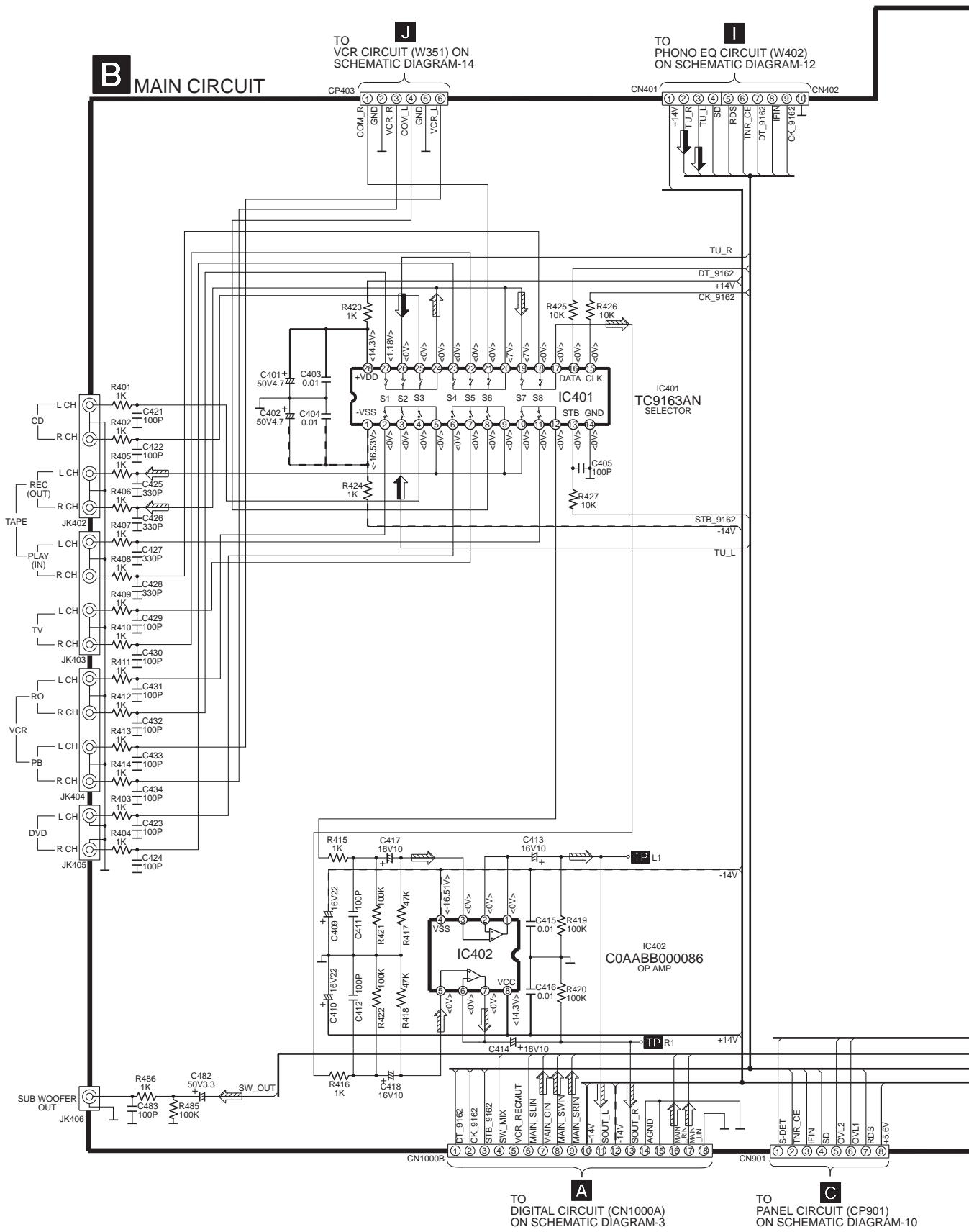


SCHEMATIC DIAGRAM - 7

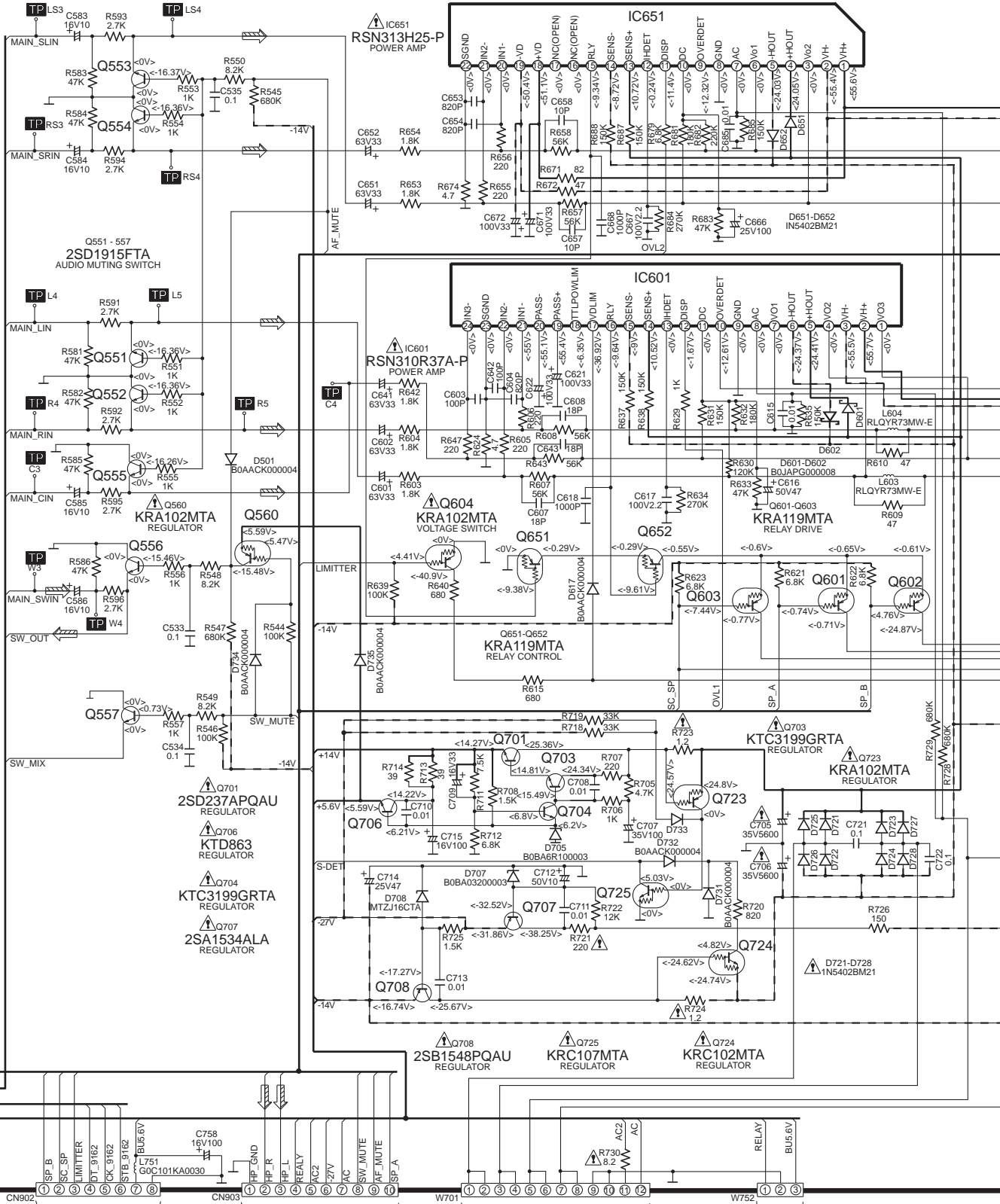
— : +B SIGNAL LINE - - : -B SIGNAL LINE ➡ : FM/AM SIGNAL LINE ⇨ : MAIN SIGNAL LINE



SCHEMATIC DIAGRAM - 8

B MAIN CIRCUIT

— : +B SIGNAL LINE - - - : -B SIGNAL LINE ⇨ : MAIN SIGNAL LINE



TO PANEL CIRCUIT (CP902) ON SCHEMATIC DIAGRAM-10

TO PANEL CIRCUIT (CP903) ON SCHEMATIC DIAGRAM-10

TO SUB-TRANSFORMER CIRCUIT (W701) ON SCHEMATIC DIAGRAM-12

TO TRANSFORMER CIRCUIT (W752) ON SCHEMATIC DIAGRAM-12

