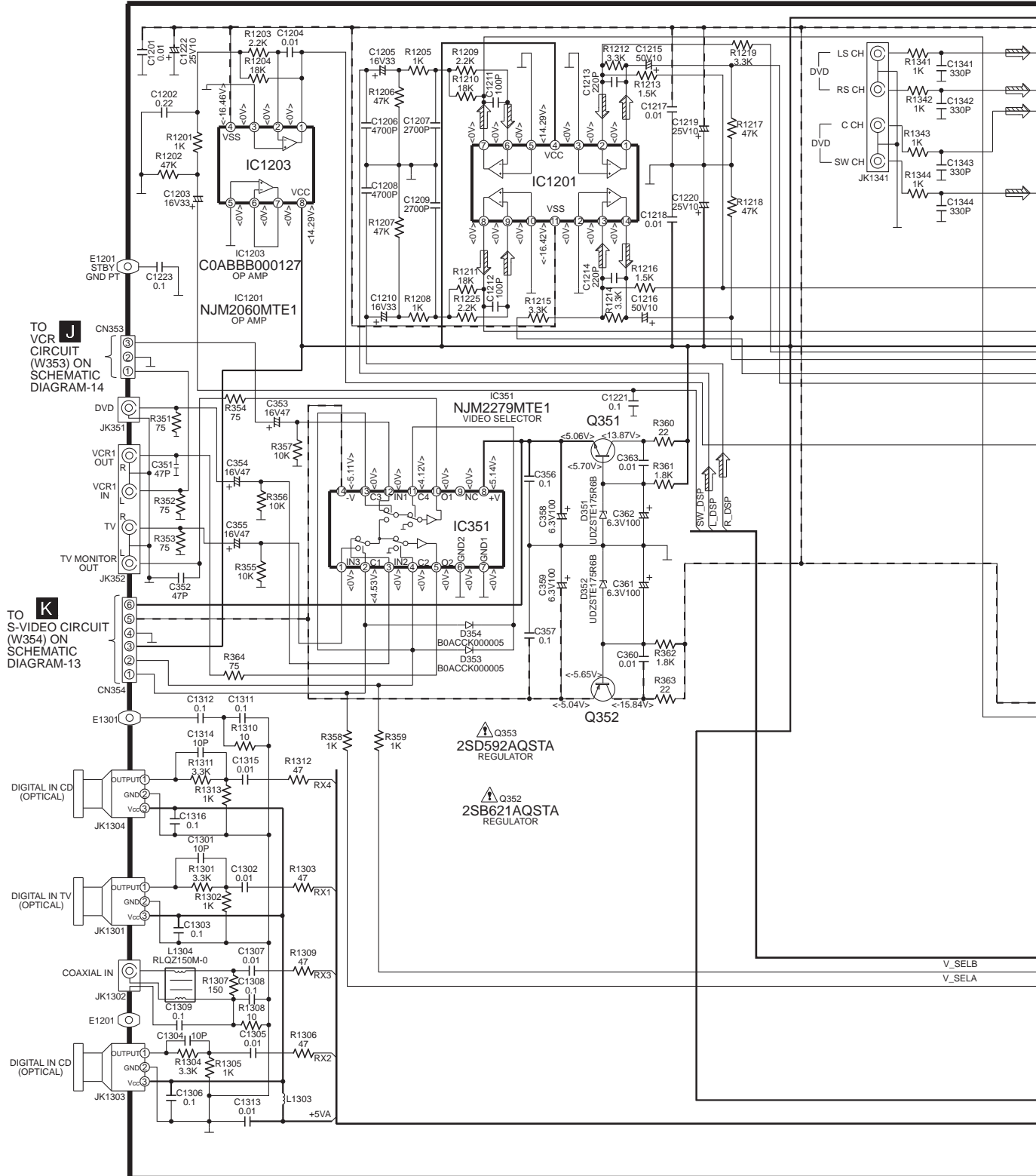


SCHEMATIC DIAGRAM - 1

— : +B SIGNAL LINE - - - : -B SIGNAL LINE ⇨ : MAIN SIGNAL LINE

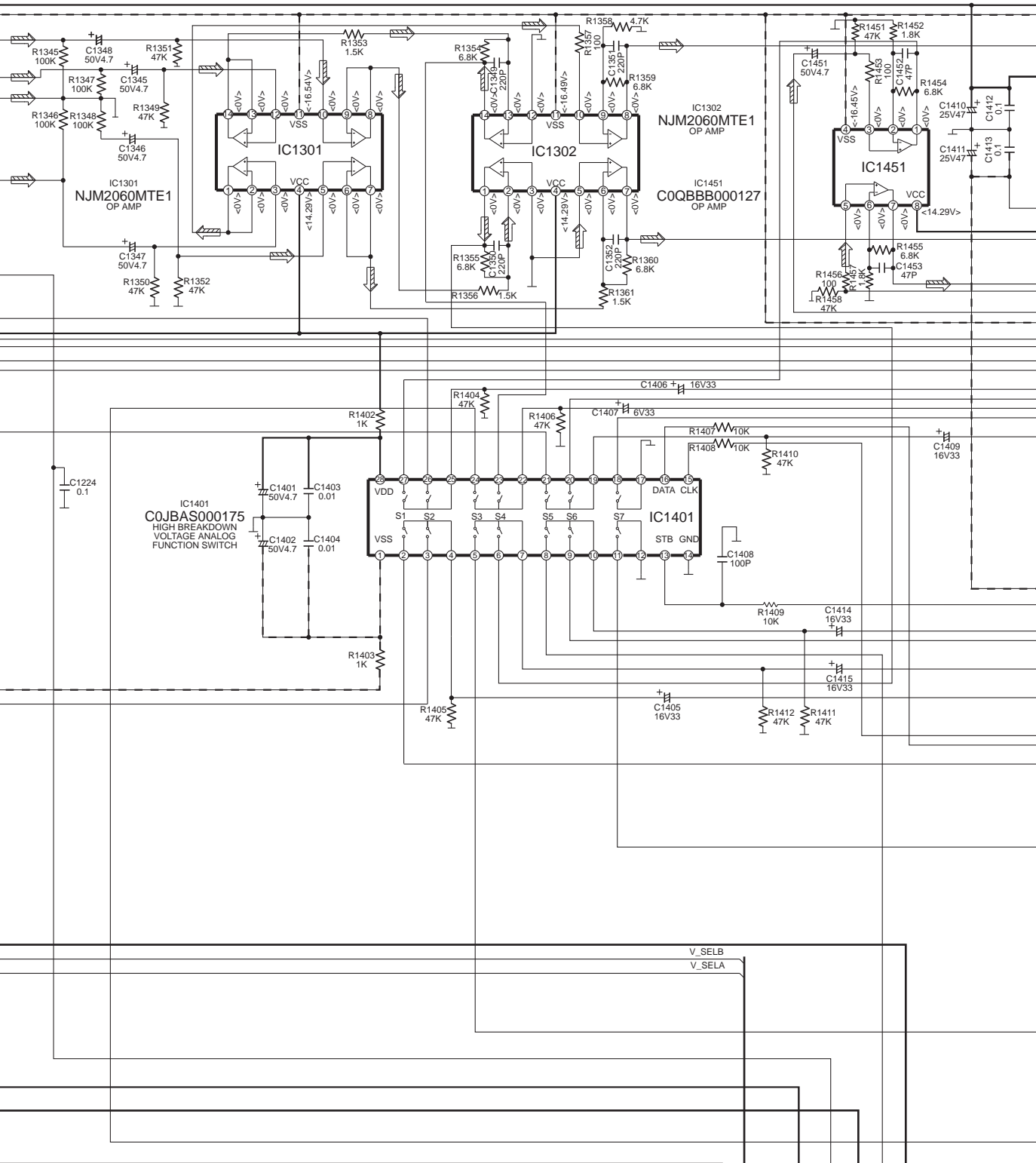
A DIGITAL CIRCUIT



SCHEMATIC DIAGRAM - 2

— : +B SIGNAL LINE - - : -B SIGNAL LINE ⇨ : MAIN SIGNAL LINE

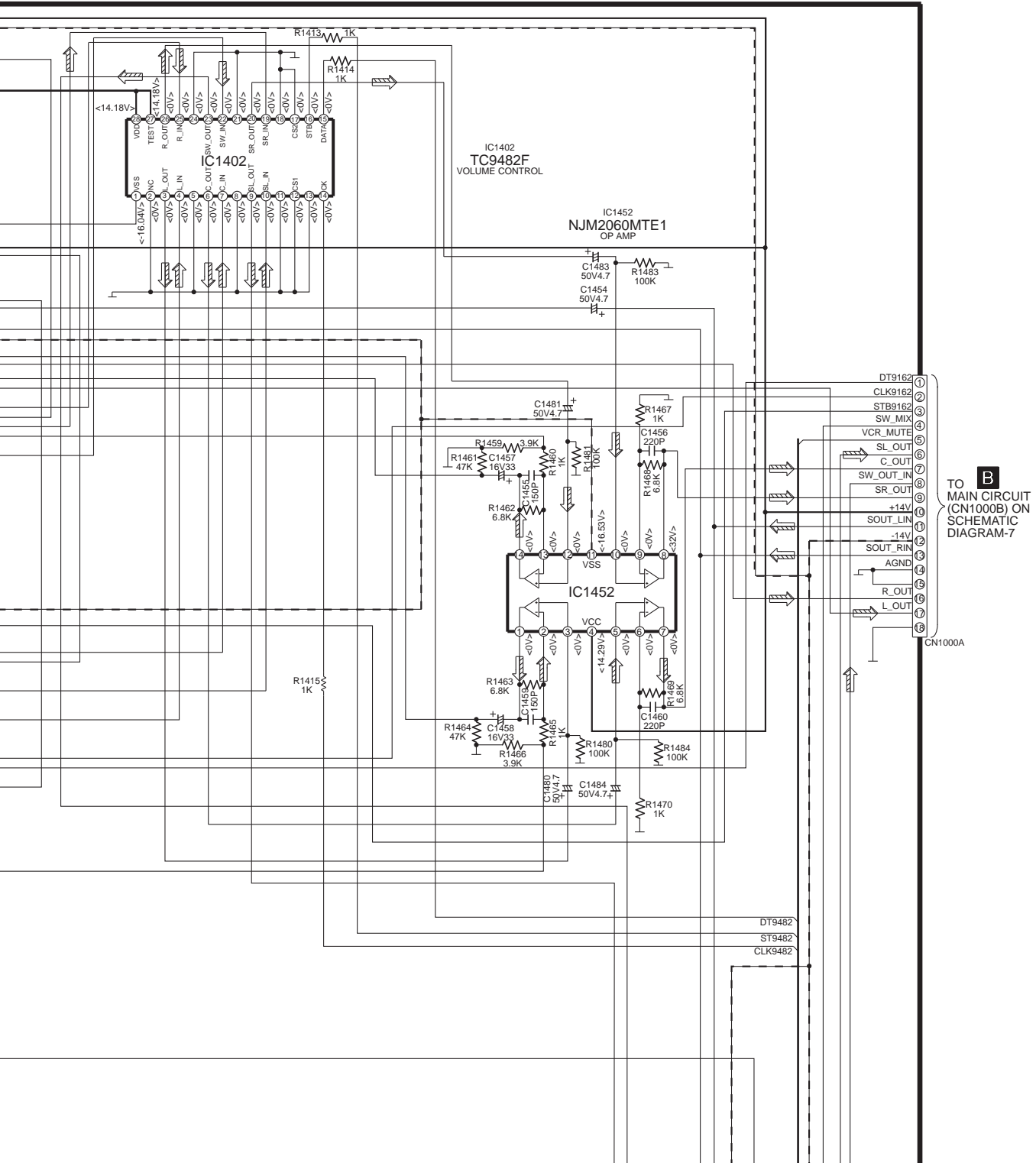
A DIGITAL CIRCUIT



SCHEMATIC DIAGRAM - 3

— : +B SIGNAL LINE - - - : -B SIGNAL LINE ⇨ : MAIN SIGNAL LINE

A DIGITAL CIRCUIT

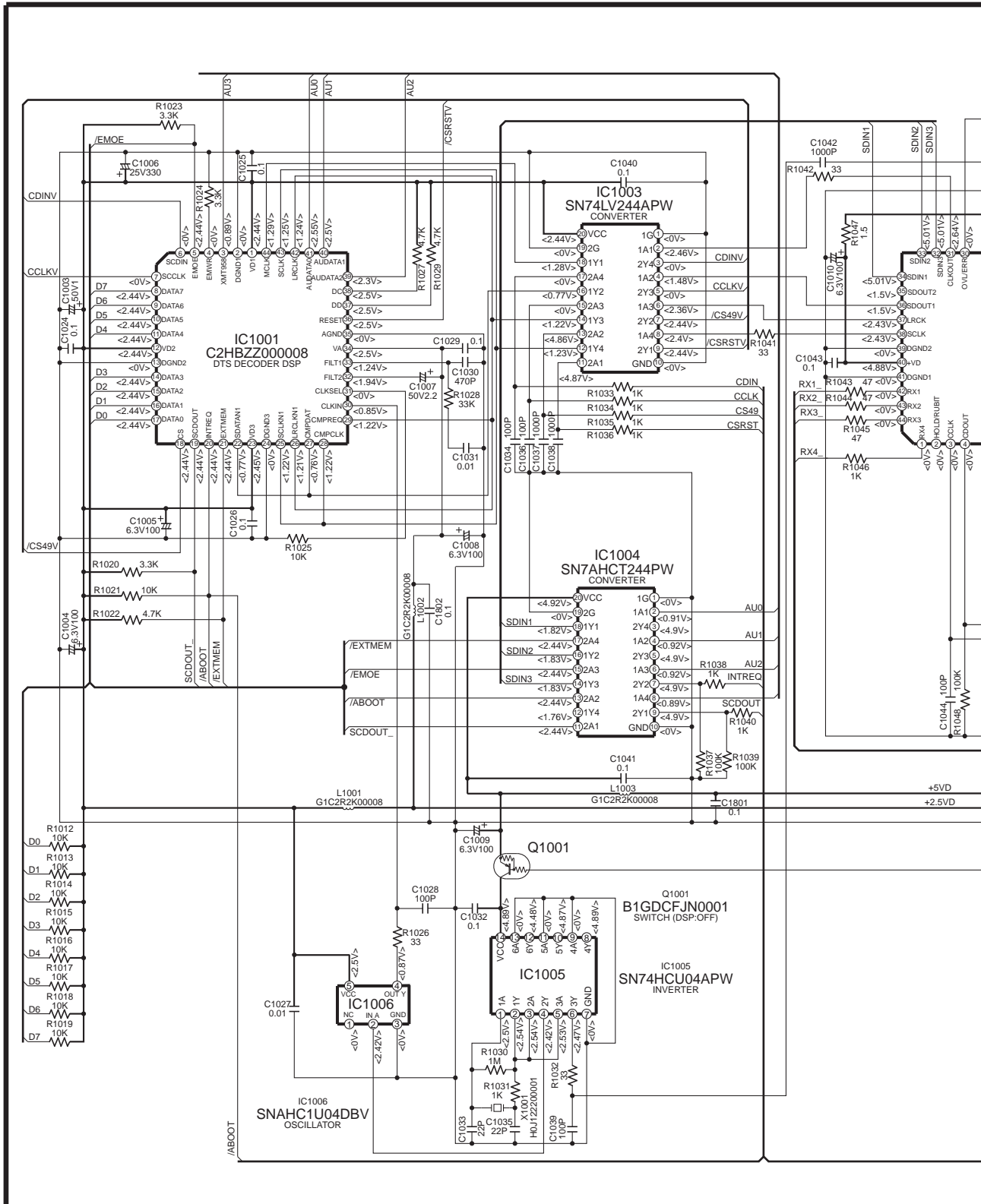


B
TO MAIN CIRCUIT
(CN1000B) ON
SCHEMATIC
DIAGRAM-7

SCHEMATIC DIAGRAM - 4

— : +B SIGNAL LINE

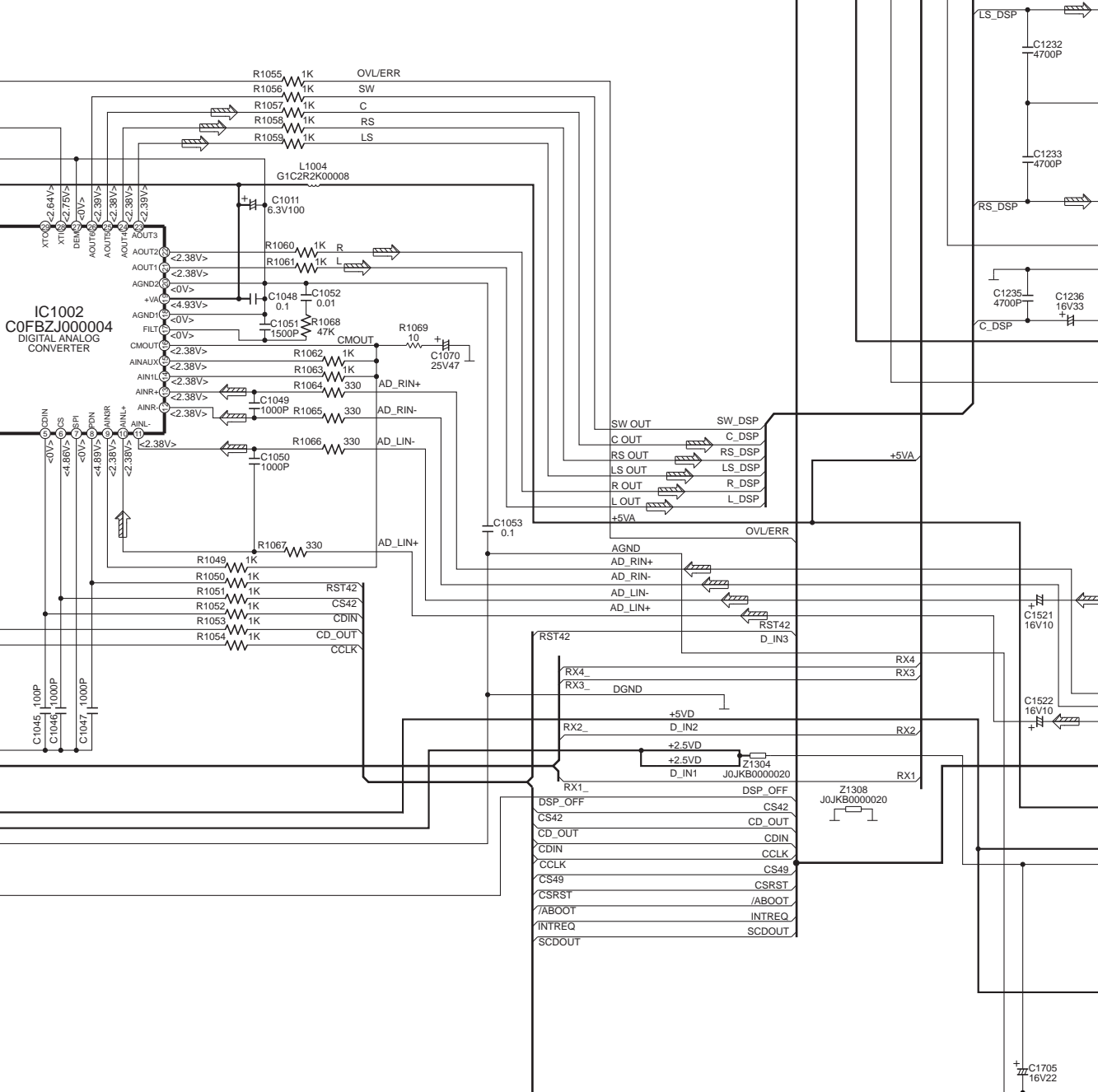
A DIGITAL CIRCUIT



SCHEMATIC DIAGRAM - 5

— : +B SIGNAL LINE ⇨ : MAIN SIGNAL LINE

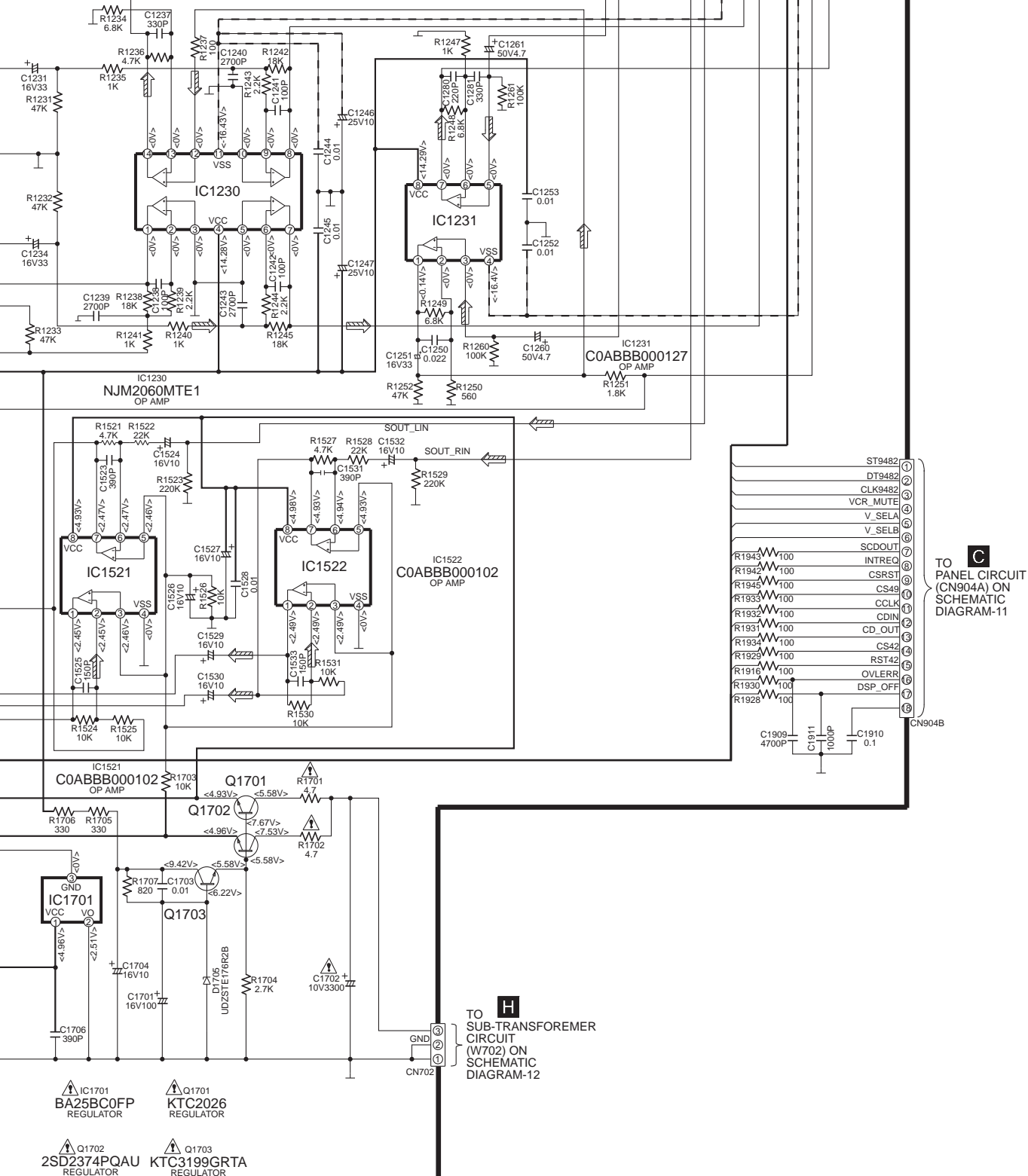
A DIGITAL CIRCUIT



SCHEMATIC DIAGRAM - 6

— : +B SIGNAL LINE - - - : -B SIGNAL LINE ⇨ : MAIN SIGNAL LINE

A DIGITAL CIRCUIT



C TO PANEL CIRCUIT (CN904A) ON SCHEMATIC DIAGRAM-11

H TO SUB-TRANSFORMER CIRCUIT (W702) ON SCHEMATIC DIAGRAM-12