

49	57-36200202-00-00 EVA PLATE	1
48	57-36200203-00-00 EVA PLATE	1
47	98-403740005-00-00 CLIP	1

TFT PCB ASSEMBLY		
62	36200400-00-00 TFT PCB BKT	1
61	37600102-00-00 BOTTOM COVER	1
70	17050001-00-00 SCREEN PB. 1.765	1
70	20032000-00-00 SCREEN BMD.084	1

62	37100101-00-00 IC BRT	1
MAIN PCB		
SCREEN PA3.0#10		
70	30122000-00-00 SCREEN BMR.0#12	2
70	29062000-00-00 SCREEN BMD.6#6	10

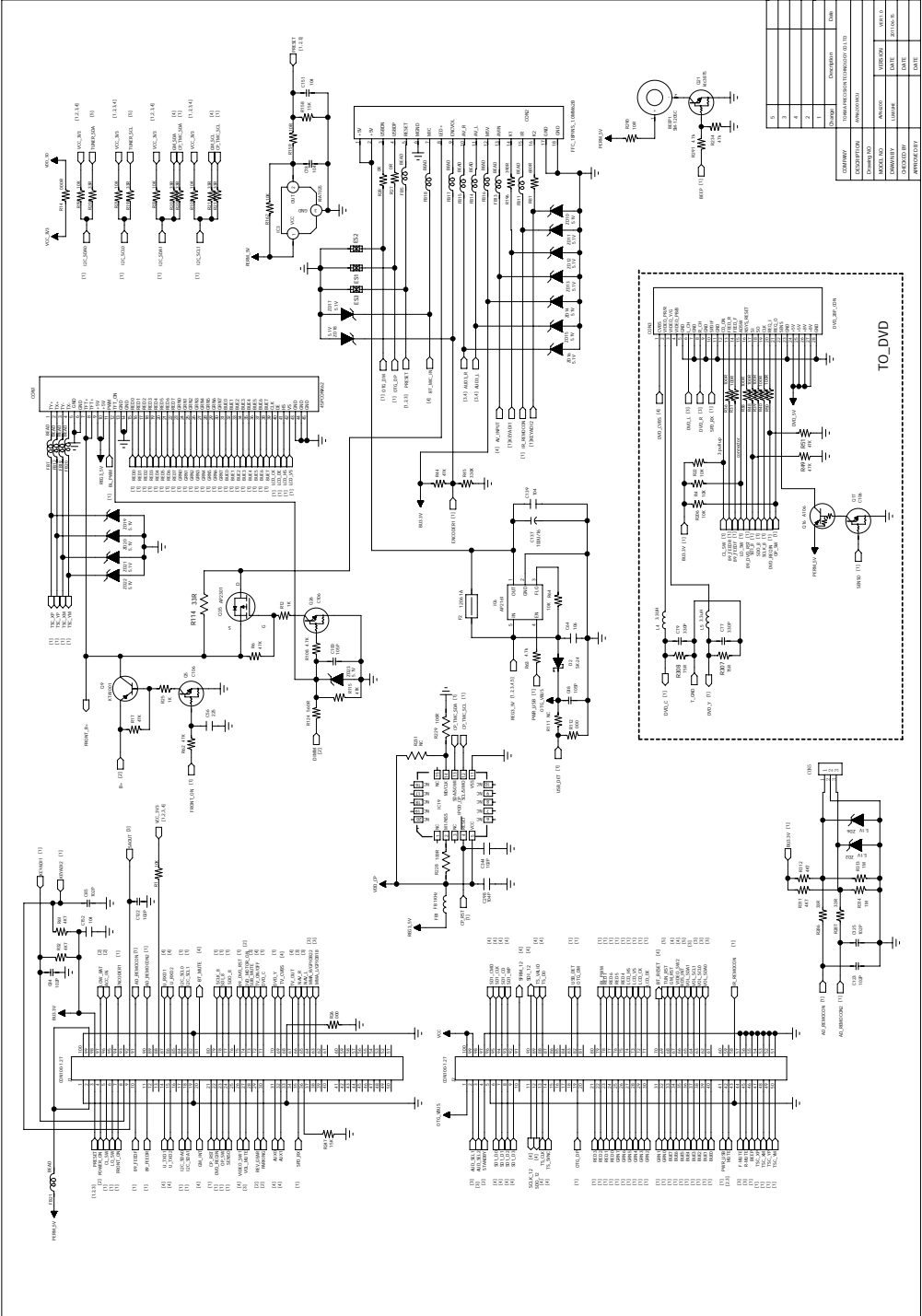
DECK BKT RR		
70	29040000-00-00 SCREW PM.2.0#4	3
62	36200000-00-00 DECK BKT FL	1

TWER PCB		
70	29040000-00-00 SCREW PM.2.0#4	3
62	36200000-00-00 DECK BKT FL	1

95	403620002-00-00 EJECT BUTTON	1
----	------------------------------	---

70	20041000-10-00 SCREEN CM.2.0#4 BLACK	1
ABS+PMMA		
COSMETIC RING		
VOLUME KNOB		





REV.	DESCRIPTION	DATE	BY
1	INITIAL		
2			
3			
4			
5			

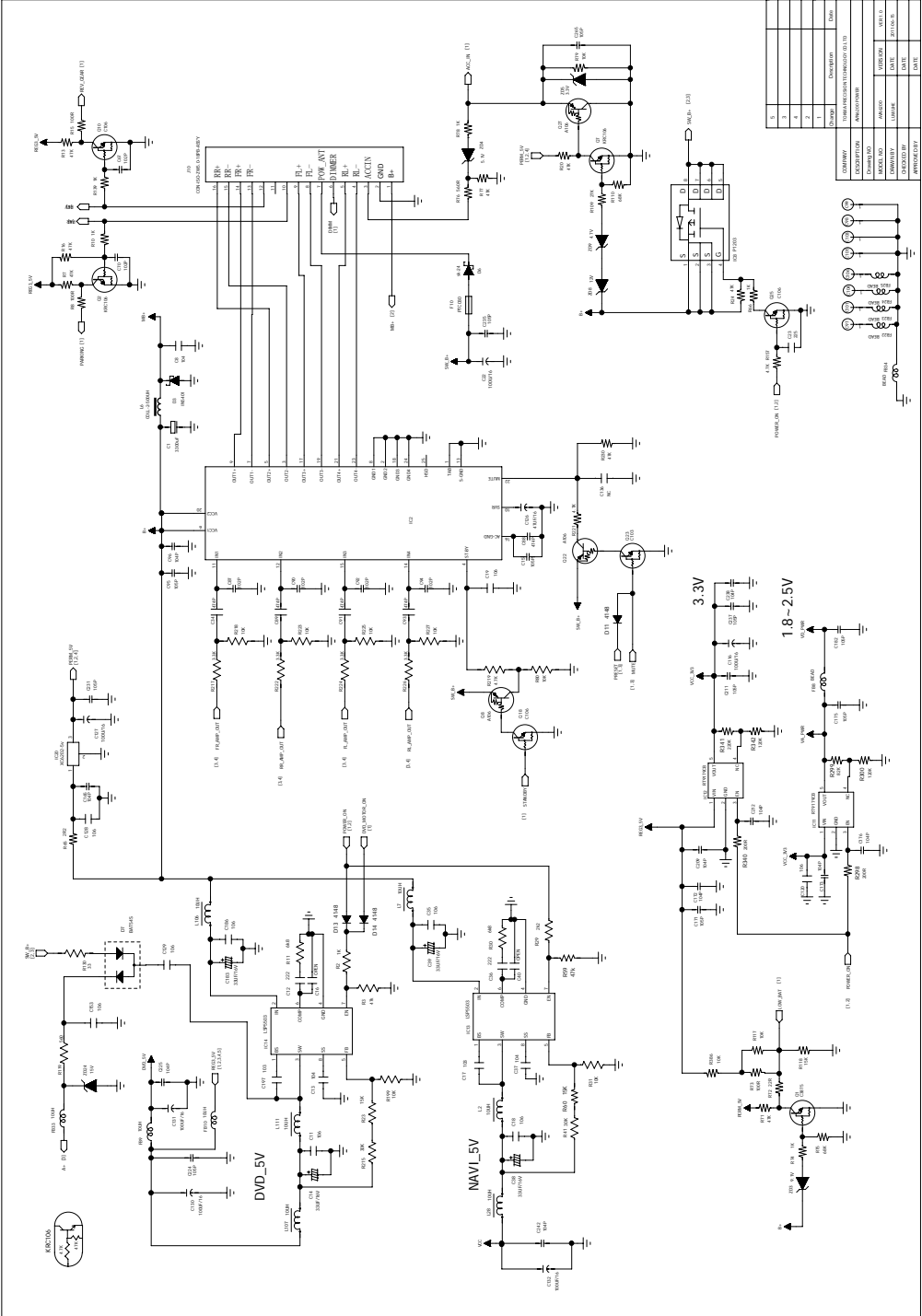
NO.	DESCRIPTION	DATE	BY
1	INITIAL		
2			
3			
4			
5			

NO.	DESCRIPTION	DATE	BY
1	INITIAL		
2			
3			
4			
5			

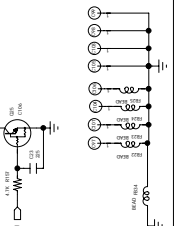
NO.	DESCRIPTION	DATE	BY
1	INITIAL		
2			
3			
4			
5			

NO.	DESCRIPTION	DATE	BY
1	INITIAL		
2			
3			
4			
5			

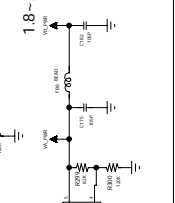
NO.	DESCRIPTION	DATE	BY
1	INITIAL		
2			
3			
4			
5			



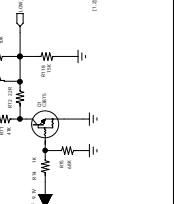
NO	DESCRIPTION	QTY	UNIT
1	RESISTOR	1	PCB
2	CAPACITOR	2	PCB
3	DIODE	1	PCB
4	TRANSISTOR	1	PCB
5	IC	1	PCB



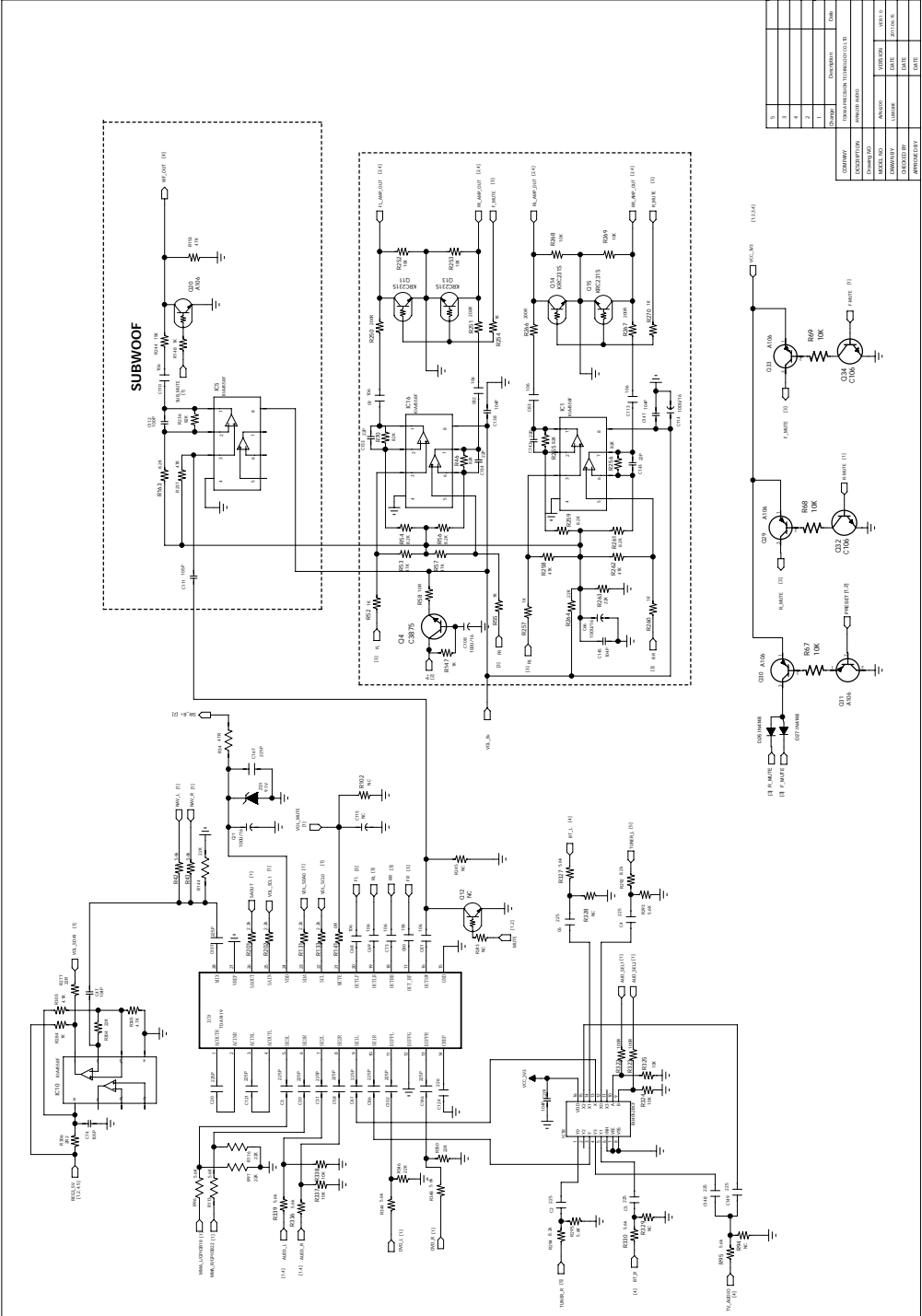
NO	DESCRIPTION	QTY	UNIT
1	RESISTOR	1	PCB
2	CAPACITOR	2	PCB
3	DIODE	1	PCB
4	TRANSISTOR	1	PCB
5	IC	1	PCB



NO	DESCRIPTION	QTY	UNIT
1	RESISTOR	1	PCB
2	CAPACITOR	2	PCB
3	DIODE	1	PCB
4	TRANSISTOR	1	PCB
5	IC	1	PCB



NO	DESCRIPTION	QTY	UNIT
1	RESISTOR	1	PCB
2	CAPACITOR	2	PCB
3	DIODE	1	PCB
4	TRANSISTOR	1	PCB
5	IC	1	PCB



REVISIONS	
NO.	DESCRIPTION
1	INITIAL DESIGN
2	REVISED
3	REVISED
4	REVISED
5	REVISED

DESIGN INFORMATION	
NO.	DESCRIPTION
1	INITIAL DESIGN
2	REVISED
3	REVISED
4	REVISED
5	REVISED

DESIGN INFORMATION	
NO.	DESCRIPTION
1	INITIAL DESIGN
2	REVISED
3	REVISED
4	REVISED
5	REVISED

DESIGN INFORMATION	
NO.	DESCRIPTION
1	INITIAL DESIGN
2	REVISED
3	REVISED
4	REVISED
5	REVISED

DESIGN INFORMATION	
NO.	DESCRIPTION
1	INITIAL DESIGN
2	REVISED
3	REVISED
4	REVISED
5	REVISED

DESIGN INFORMATION	
NO.	DESCRIPTION
1	INITIAL DESIGN
2	REVISED
3	REVISED
4	REVISED
5	REVISED

DESIGN INFORMATION	
NO.	DESCRIPTION
1	INITIAL DESIGN
2	REVISED
3	REVISED
4	REVISED
5	REVISED

DESIGN INFORMATION	
NO.	DESCRIPTION
1	INITIAL DESIGN
2	REVISED
3	REVISED
4	REVISED
5	REVISED

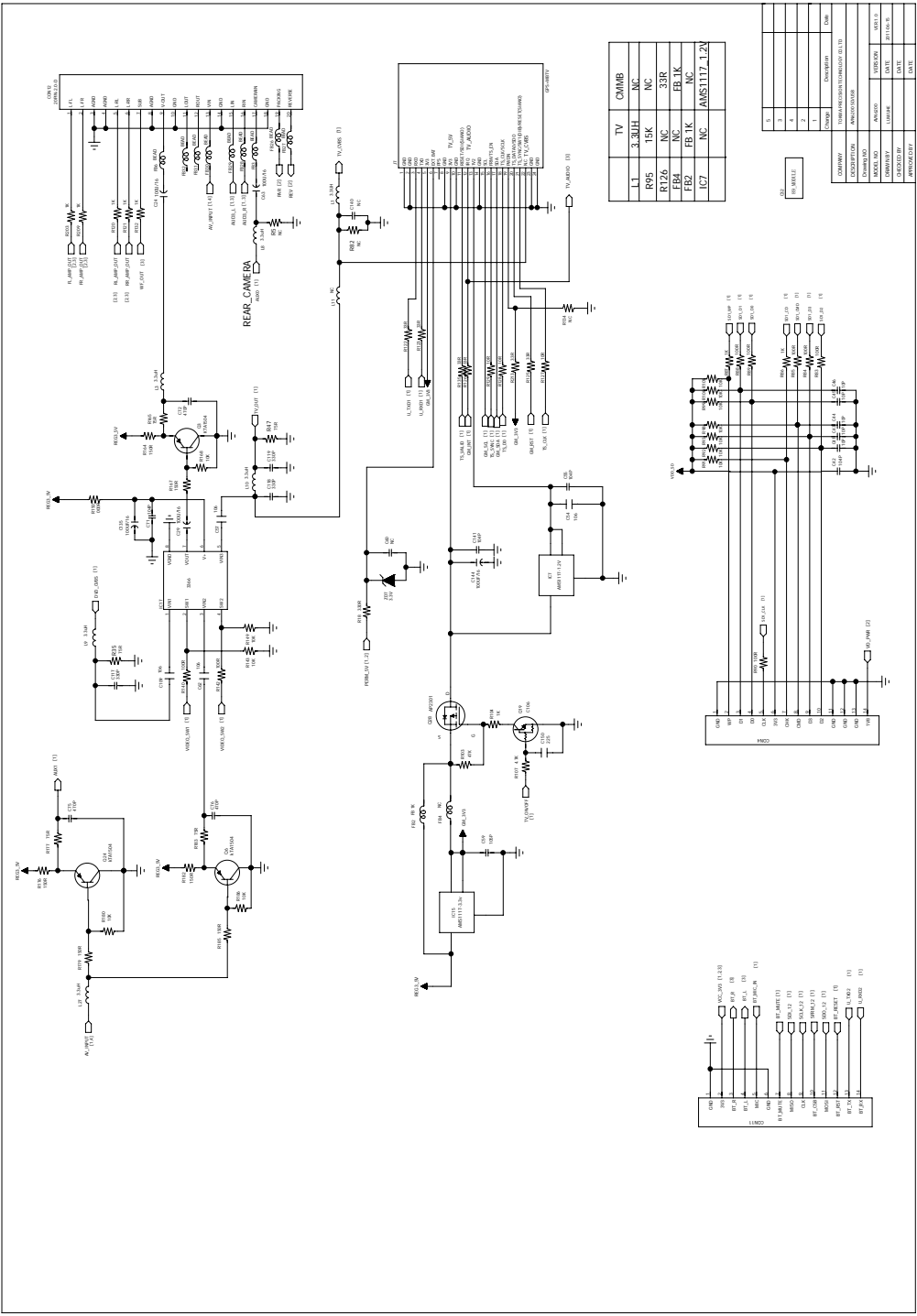
DESIGN INFORMATION	
NO.	DESCRIPTION
1	INITIAL DESIGN
2	REVISED
3	REVISED
4	REVISED
5	REVISED

DESIGN INFORMATION	
NO.	DESCRIPTION
1	INITIAL DESIGN
2	REVISED
3	REVISED
4	REVISED
5	REVISED

DESIGN INFORMATION	
NO.	DESCRIPTION
1	INITIAL DESIGN
2	REVISED
3	REVISED
4	REVISED
5	REVISED

DESIGN INFORMATION	
NO.	DESCRIPTION
1	INITIAL DESIGN
2	REVISED
3	REVISED
4	REVISED
5	REVISED

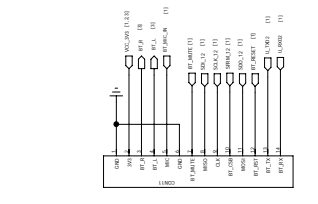
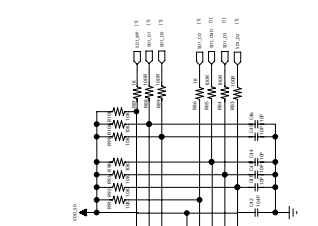
DESIGN INFORMATION	
NO.	DESCRIPTION
1	INITIAL DESIGN
2	REVISED
3	REVISED
4	REVISED
5	REVISED



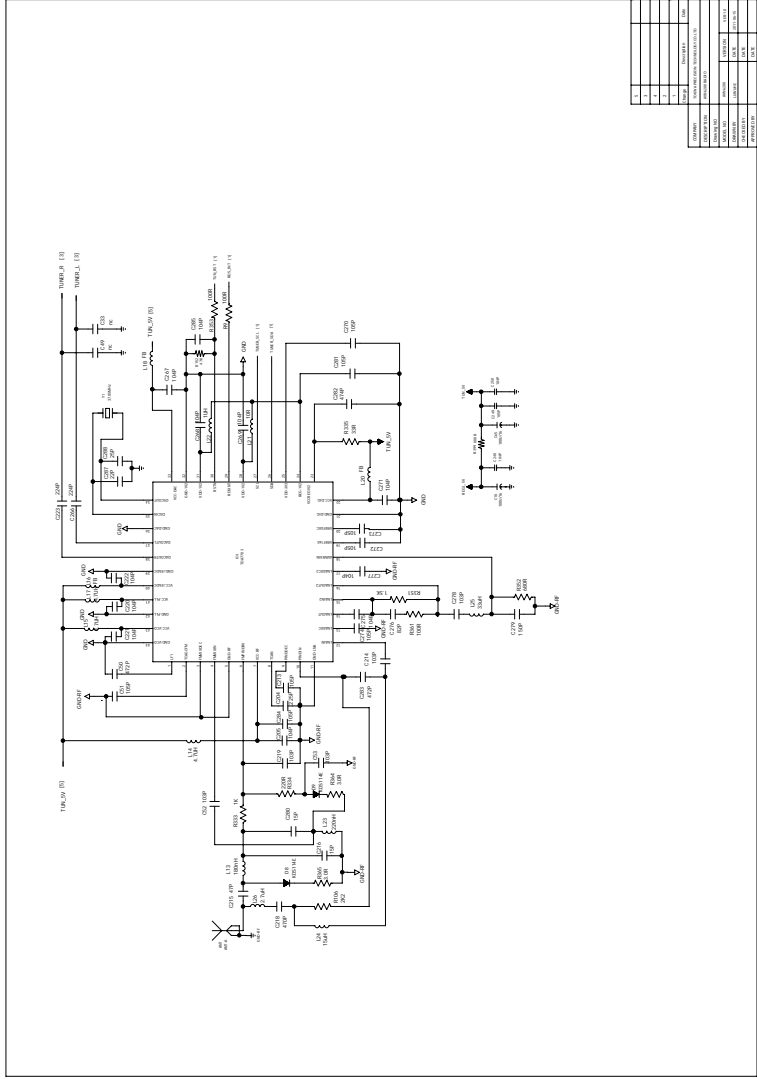
TV	CAM86
1	3.00H
NC	NC
2	75K
3	50K
4	NC
5	FB 1K
6	FB 1K
7	NC
8	AM5117 1.2V

REVISION	
NO.	
DATE	
BY	
CHKD	
APPV	
CHKD	
APPV	
DATE	
BY	
CHKD	
APPV	

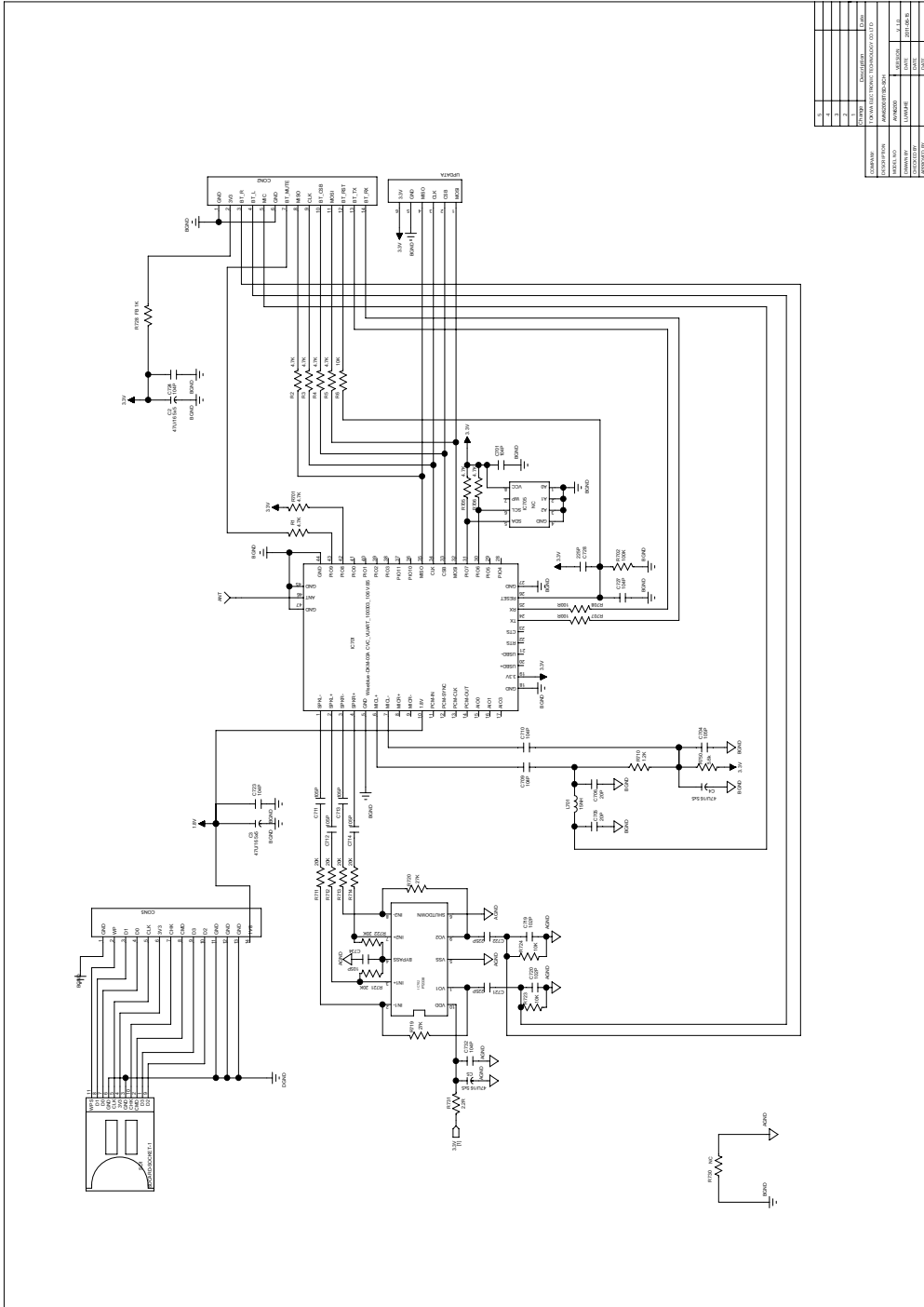
REV.	
NO.	
DATE	
BY	
CHKD	
APPV	



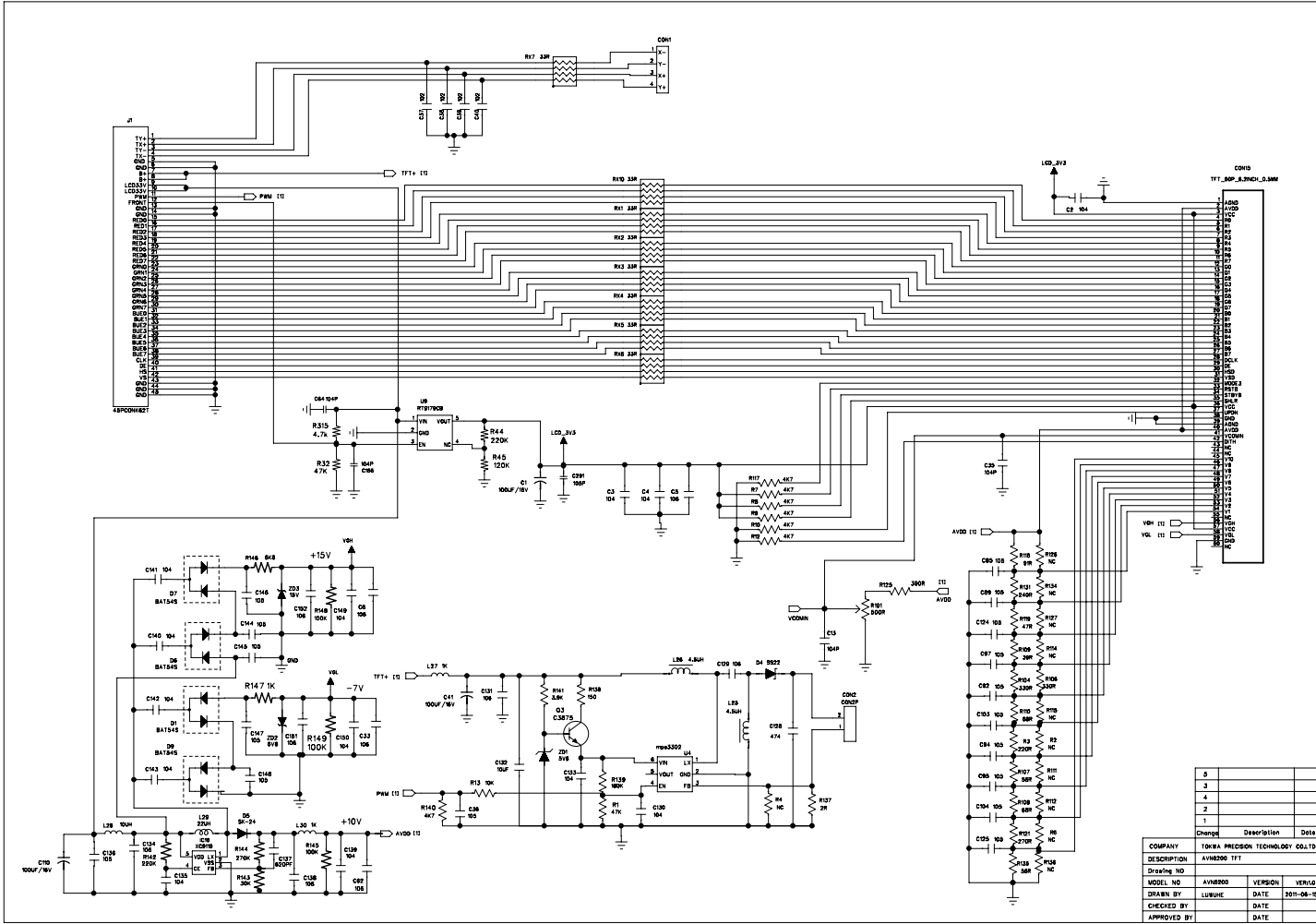
TV	CAM86
1	3.00H
NC	NC
2	75K
3	50K
4	NC
5	FB 1K
6	FB 1K
7	NC
8	AM5117 1.2V



REV	DATE	BY	CHK
1			
2			
3			
4			
5			
6			
7			
8			
9			
10			

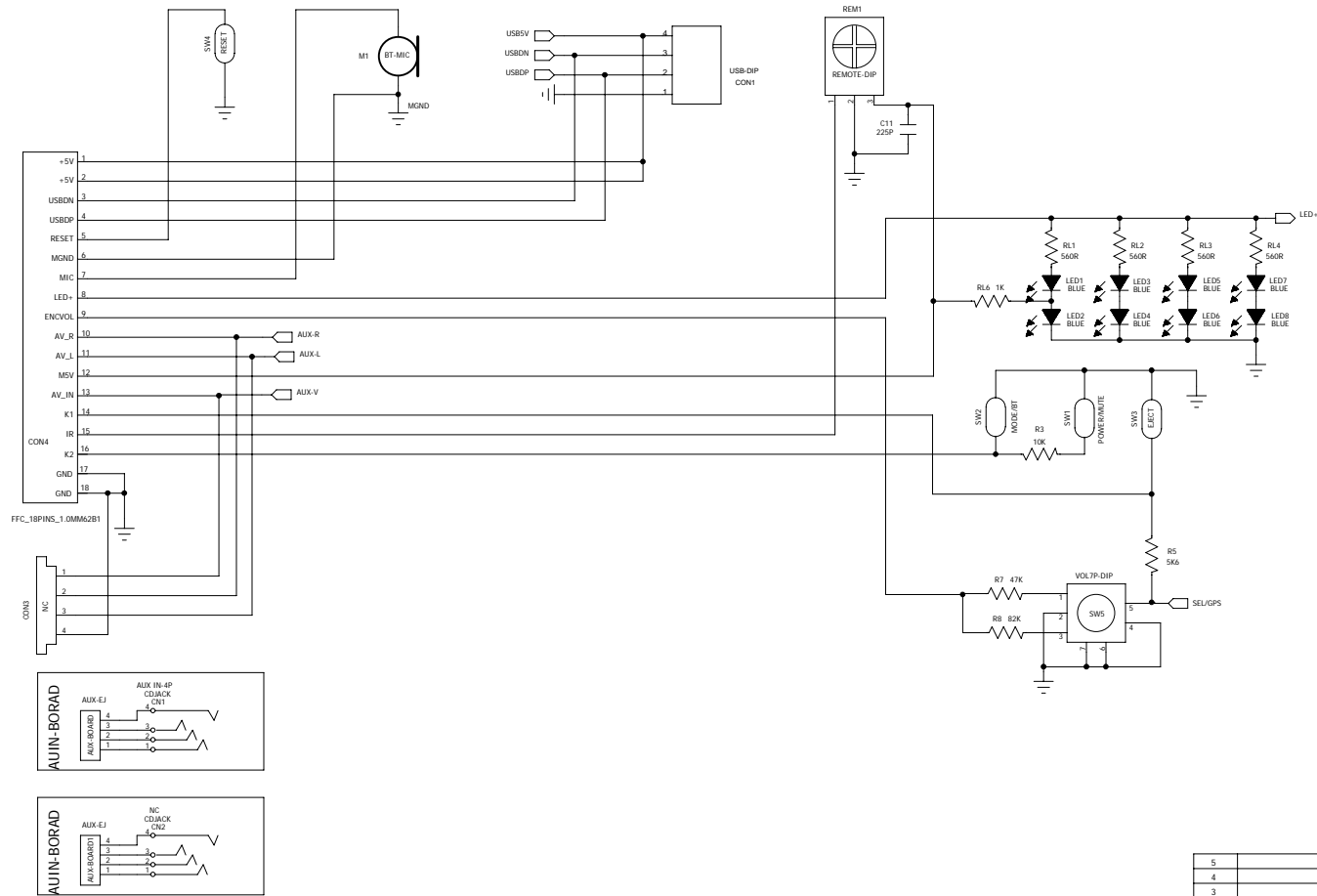


NO.	REVISION	DATE	BY	CHKD BY
1				
2				
3				
4				
5				



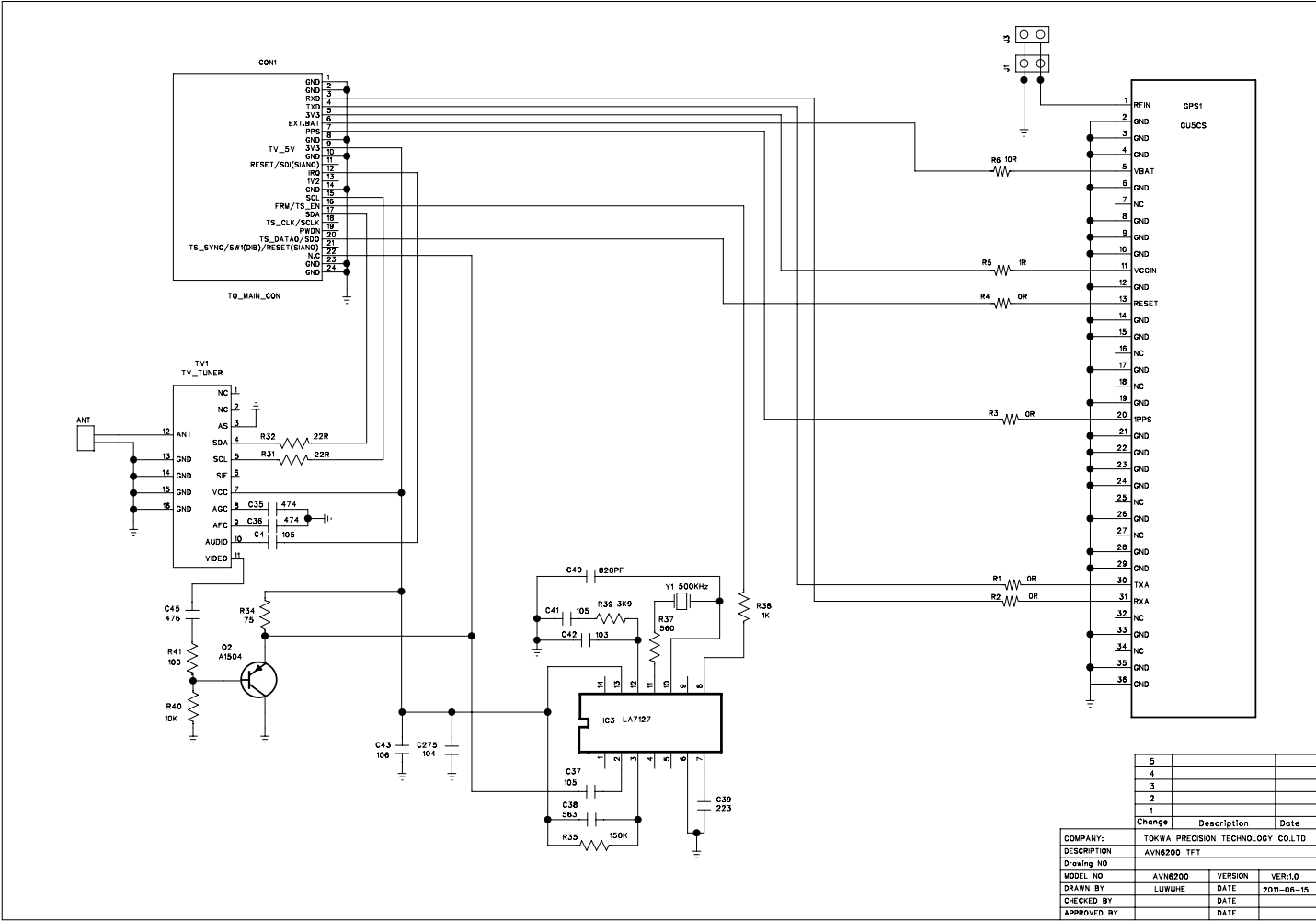
5		
3		
4		
2		
1		
Change	Description	Date
COMPANY: TORFA PRECISION TECHNOLOGY CO., LTD		
DESCRIPTION: AVERAGE ITT		
Drawing NO:		
MODEL NO	AVR680	VERSION
DRAWN BY	LUBUHE	DATE
CHECKED BY		DATE
APPROVED BY		DATE





5		
4		
3		
2		
1		
Change	Description	Date

COMPANY:	TOKWA PRECISION TECHNOLOGY CO.LTD		
DESCRIPTION:	AVN6200 KEY		
Drawing NO			
MODEL NO	AVN6200	VERSION	VER:1.0
DRAWN BY	LUWUHE	DATE	2011.06.15
CHECKED BY		DATE	
APPROVED BY		DATE	



5		
4		
3		
2		
1		

Change	Description	Date

COMPANY: TOKWA PRECISION TECHNOLOGY CO.LTD  
 DESCRIPTION: AVN8200 TFT  
 Drawing NO  
 MODEL NO: AVN8200    VERSION: VER1.0  
 DRAWN BY: LUWUHE    DATE: 2011-06-15  
 CHECKED BY:    DATE:  
 APPROVED BY:    DATE: